



MSL 20 RV PUMP

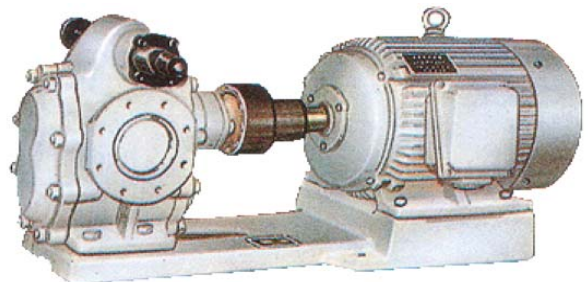


MSL 20 COMPLETED PUMP SET

Rotary Gear Pumps

APPLICATIONS

- Transfer of various grades of oils like light Diesel Oils, Fuel Oils, Transformer oils, lube oils, castor oils, Grease, wax etc.
- Transfer of chemicals like sodium silicate, caustic soda, resins, enamels, adhesives fatty acids, paints and varnish, pulp, juices, Syrup, Alcohol, kerosene...
- Atomising of fuel oil at high pressure for burners and boilers
- Lubrication of gear boxes, cranes, Machine tools etc.
- Cooling and filtering in machine tools.
- Heat transfer liquids for chemical vessels.
- Hydraulic systems for presses, power pack units etc.



MSL 200 RV COMPLETED PUMP SET

These pumps are simple in design and robust and sturdy in construction . Only tested materials are used to give them long life. They are built in various sizes and versions to suit every possible industrial application.

These pumps available either foot mounted or flange mounted.

Pressure range – 0 kg /cm to 25 kg ./ cm

Capacity – up to 4000 LPM

Viscosity : 5-1500 cst

Temperature : standard 80°C , option 170°C

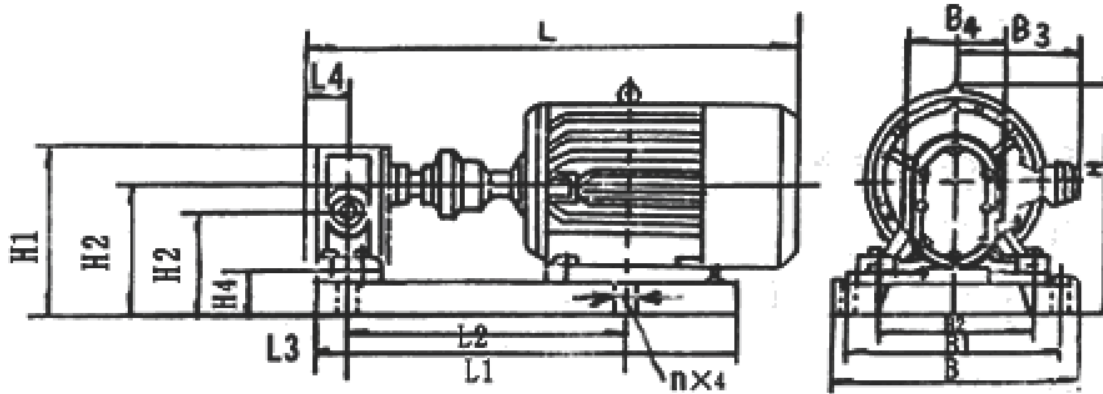
Size – 3/8" to 8" Inlet – outlet

SPECIAL FEATURES

- Direction of rotation can be given as per client's requirements.
- Suction and delivery have threaded connections up to 20" BSP. Flange connections can be given on request 3" & above pumps have integral flange connection
- As per clients requirement pumps is provided with electric motor, gear box, diesel engine, base plate, coupling, guard, flanges, pulley & Belt Drive. Trolley Mounted, etc.
- Pump are also available in steam jacketed design specially suitable for liquids which solidify or become highly viscous at room temperature like LSHS, Wax, coal Tar, Adhesives, etc.
- Pumps are fitted with Mech. Seal, Gland Packing or oil seal as per client's requirements.
- Pumps are available under low pressure range (0 to 10 kg/ cm) as well as high pressure range (11 to 40 kg/cm) On the basis of requirement.
- Pumps are available in SS 304, SS 316, A 216 Gr. WCB, mild steel, gun metal , Aluminum Material also.
- Pumps can be offered with external bearing design suitable for liquids which do not have lubricating property like molasses, high temp. oil, corrosive abrasive liquid, Pharmaceutical Products, etc.
- Pumps are designed , mfd & tested as per API Std 676
- A built in relief valve is provided in Pump Back cover . It can be adjusted externally to ensure that the pump does not build up pressure above certain preset limit. This prevents overloading of the motor as well as probable damage to the pump.

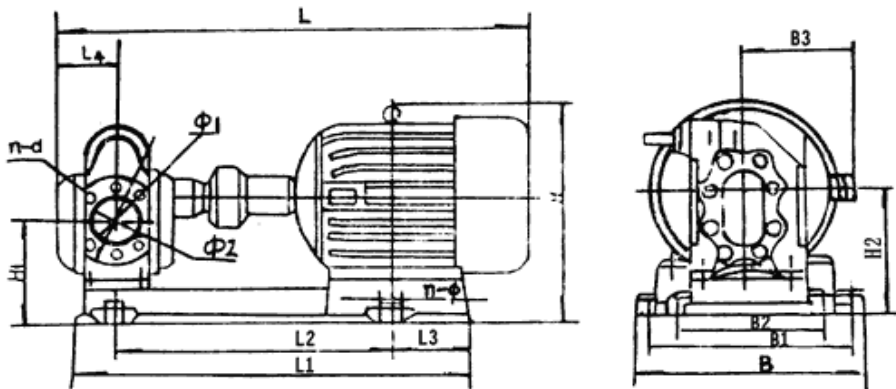
SPECIFICATION:

Model	Flow		Max Discharge Pressure Kg/cm ²	Port size Inlet - outlet(mm)	Speed RPM	Suggested Power Kw	Relief Valve
	m ³ /hour	Lit/min					
MSL 20	1.10	18.30	25	D18	1400	1.50	No
MSL 35	2.00	33.30	25	D18	1400	1.50	No
MSL 60	3.30	55.50	25	D25	1400	1.50	No
MSL 100	5.00	83.30	25	D38	1400	2.20	No
MSL 150	8.00	135.00	25	D38	1400	2.20	No
MSL 200 RV	8.00	135.00	3.30	D50	960	2.20	Yes
MSL 200 RV	12.00	200.00	3.30	D50	1400	3.70	Yes
MSL 350 RV	18.00	300.00	3.60	D70	960	5.50	Yes
MSL 500 RV	29.00	483.00	3.60	D70	1400	11.00	Yes
MSL 800 RV	38.00	633.00	2.80	D100	960	11.00	Yes
MSL 1000 RV	58.00	966.00	2.80	D100	1450	22.00	Yes
MSL 1200 RV	72.00	1,200.00	6.00	D150	740	37.00	Yes
MSL 1600 RV	96.00	1,600.00	6.00	D150	960	45.00	Yes
MSL 1800 RV	108.00	1,800.00	6.00	D200	740	55.00	Yes
MSL 2500 RV	150.00	2,500.00	6.00	D200	960	75.00	Yes
MSL 2850 RV	171.00	2,850.00	6.00	D250	740	90.00	Yes
MSL 3800 RV	228.00	3,800.00	6.00	D250	960	110.00	Yes



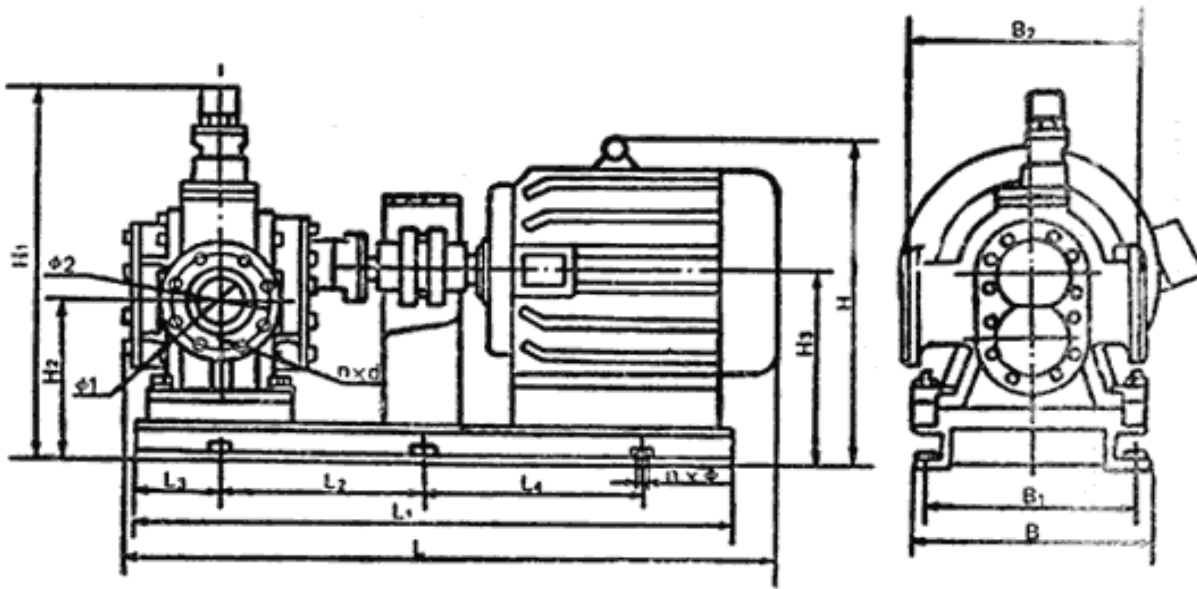
Installation size and dimension MSL 20 – MSL 100

Model Number	L	L1	L2	L3	L4	H	H1	H2	H3	H4	B	B1	B2	B3	B4	G	D	n×φ
MSL 20	577	486	339	47.5	55	290	190	145	125.5	58	293	257	190	180	95	G3/4"	φ36	4×φ18
MSL 35	586	493	344	49	56	302	209.5	169	131	45	293	257	206	180	110	G1"	φ50	4×φ18
MSL 60	605	499	349	49	56	310	209.5	169	131	45	333	297	206	190	110	G1"	φ50	4×φ18
MSL 100	720	585	420	54	65	378	255	195	162.5	55	368	332	242	210	140	G1 1/4"	φ70	4×φ18
MSL 150	780	637	448	60	75	378	260	195	162.5	55	368	332	242	210	140	G1 1/2"	φ70	4×φ18



Installation size and dimension MSL 150 RV–MSL1000 RV

MSL 150 RV	709	577	419	100	90	356	168	202	326	290	240	190	110	50	4-M12	4-φ16
MSL 200 RV																
MSL 350 RV	883	715	502	80	124	423	198	240	390	340	280	210	123	70	6-M14	4-φ22
MSL 500 RV	971	795	565	80	124	465	198	240	450	400	290	255	123	70	6-M14	4-φ22
MSL 800 RV	1079	901	629	172	145	500	258	275	450	400	285	255	158	100	8-M14	4-φ22
MSL 1000 RV	1099	900	635 (654)	165	145	525	258	275	470	420	285	285	158	100	8-M14	4-φ22



Installation size and dimension MSL 1200 RV–MSL 3800 RV

Type	L	L1	L2	L3	H	H1	H2	H3	B	B1	B2	B3	φ1	φ2	n-d	n-φ
MSL 1200 RV	1771	1470	990	194	780	828	340	420	683	631	621	510	150	225	8-φ18	4-φ25
MSL 1600 RV.																
MSL 1800 RV	2036	1704	1142	230	1020	1145	380	470	772	720	720	684	200	280	8-φ22	4-φ25
MSL 2500 RV	2294	1930	1250	270	1070	1035	419	520	810	750	750	640	250	335	12-φ18	4-φ30
MSL 2850 RV																
MSL 3800 RV	2524	2008	1340	270	1200	1035	419	520	1163	906	750	640	250	335	12-φ18	4-φ30